



Solid State Devices, Inc.

14701 Firestone Blvd * La Mirada, Ca 90638
 Phone: (562) 404-4474 * Fax: (562) 404-1773
 ssdi@ssdi-power.com * www.ssdi-power.com

SDA263AF-3 thru SDA263GF-3

**60 AMPS 50 – 1000 VOLTS
 FAST RECOVERY
 THREE PHASE BRIDGE RECTIFIER**

Designer's Data Sheet

Part Number/Ordering Information ^{1/}

SDA263

|
 |
 | **Screening ^{2/}**
 | = Not Screened
 | TX = TX Level
 | TXV = TXV Level
 | S = S Level
 |
 | **Bridge Type**
 | -3 = Three Phase
 |
 | **Reverse Recovery**
 | F = Fast

Peak Inverse Voltage (per leg)
 A = 50V, B = 100V, C = 200V, D = 400V,
 E = 600V, F = 800V, G = 1,000V.

- FEATURES:**
- Fast Reverse Recovery Time 200 ns Max
 - Average Output Current 60 Amps @ 50°C
 - PIV 50 to 1000 Volts Per Leg
 - Maximum Thermal Resistance 1.0°C/W
 - Operating & Storage Temperature -55°C to +150°C
 - Junction Temperature -55°C to 200°C
 - Hermetically Sealed Diode Cells
 - Threaded Holes for Ease of Installation
 - Electrically Insulated Aluminum Case
 - Available in Faster Recovery Versions
 - Available in Higher Voltages
 - TX, TXV, and S-Level Screening Available

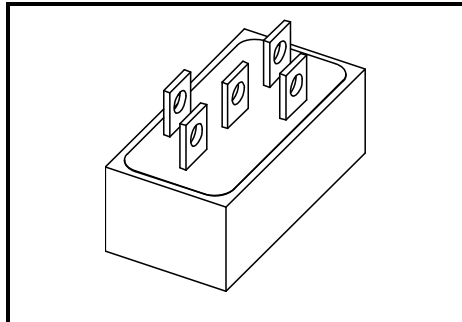
ELECTRICAL CHARACTERISTICS ^{3/}

Part Number	Peak Inverse Voltage (per leg)	Sine Wave RMS Input Voltage Max.	Reverse ^{4/} Recovery Time	Average DC Output Current T _c =Case Temp		Peak Forward Surge Current (1 Cycle)	Peak Repetitive Forward Current	Maximum Forward Voltage (per leg) @		Maximum Reverse Current (per leg) @ PIV	
				20 A _{DC}	50 A _{DC}			20 A _{DC}	50 A _{DC}		
Symbol	PIV	V _r	T _{rr}	I _{F(AV)}		I _{FSM}	I _{FRM}	V _F		I _R	
Units	Volts	Volts	ns	Amps		Amps	Amps	Volts		µA	
Conditions			Max	50°C	100°C					25°C	100°C
SDA263AF-3	50	35	200	75	54	375	125	1.30	1.50	5	100
SDA263BF-3	100	70	200	75	54	375	125	1.30	1.50	5	100
SDA263CF-3	200	140	200	75	54	375	125	1.30	1.50	5	100
SDA263DF-3	400	280	200	75	54	375	125	1.30	1.50	5	100
SDA263EF-3	600	420	200	75	54	375	125	1.30	1.50	5	100
SDA263FF-3	800	560	200	75	54	375	125	1.30	1.50	5	100
SDA263GF-3	1000	700	200	75	54	375	125	1.30	1.50	5	100

SDA263AF-3 through SDA263GF-3 Package:

NOTES:

- ^{1/} For Ordering Information, Price, and Availability- Contact Factory.
- ^{2/} Screened to MIL-PRF-19500.
- ^{3/} Unless Otherwise Specified, All Electrical Characteristics @25°C.
- ^{4/} Recovery Conditions: I_F = 0.5 Amp, I_R = 1.0 Amp rec. to .25 Amp.



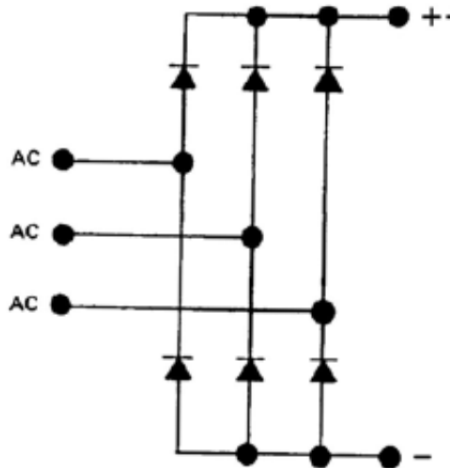


Solid State Devices, Inc.

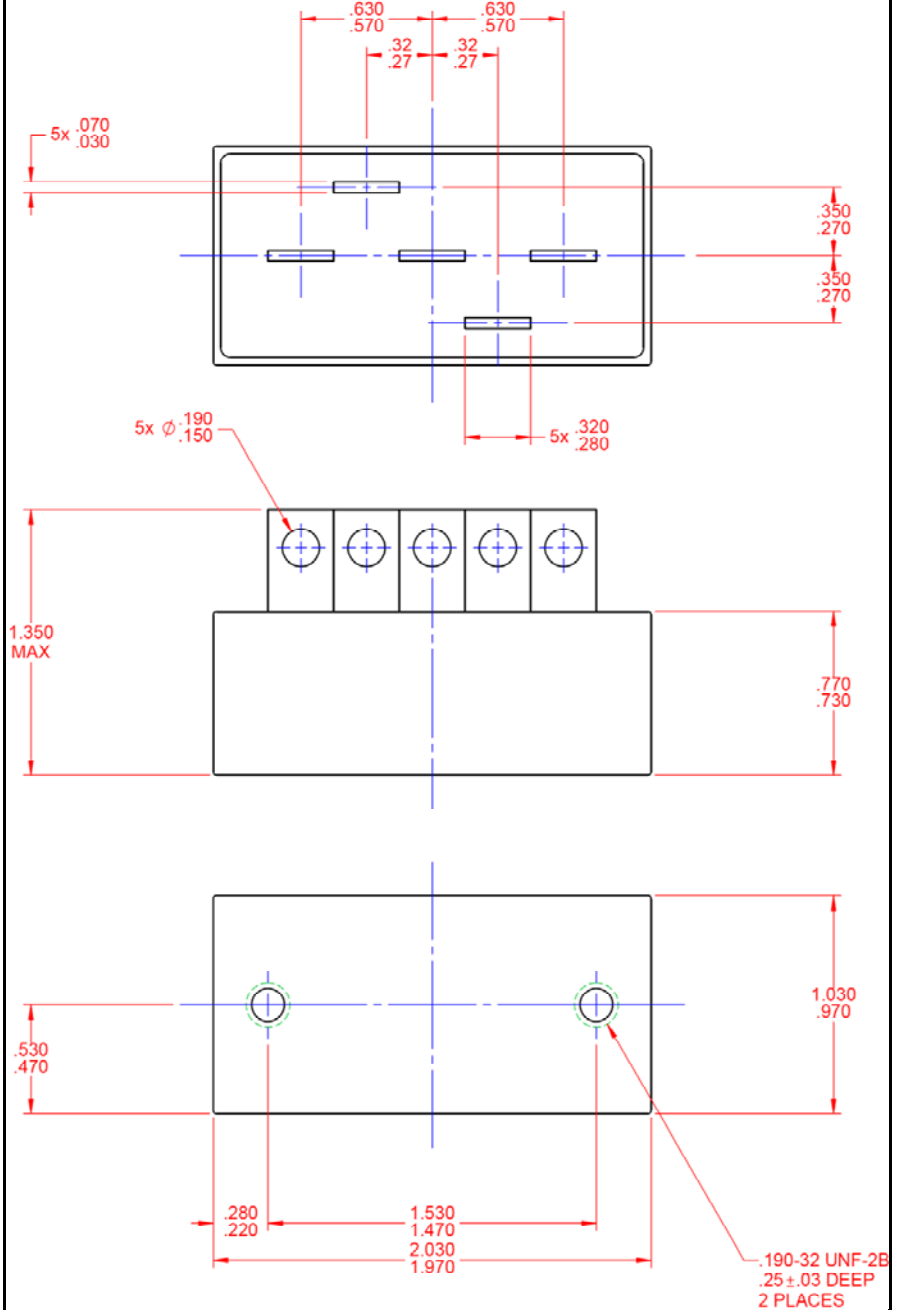
14701 Firestone Blvd * La Mirada, Ca 90638
Phone: (562) 404-4474 * Fax: (562) 404-1773
ssdi@ssdi-power.com * www.ssdi-power.com

SDA263AF-3 thru SDA263GF-3

SDA263AF-3 through SDA263GF-3*:



SCHEMATIC DIAGRAM



*For information on curves, contact the Factory Representative for Engineering Assistance.